

# TRANSFORMERS

## BREACHER™

LEVEL: 0 1 2 **3** 4 5  
INTERMEDIATE

AUTOBOT®



**WARNING:**  
CHOKING HAZARD—Small parts.  
Not for children under 3 years.

**AGES 5+**  
19808/98438 Asst.

TRANSFORMERS.COM

NOTE: Some parts are made to detach if excessive force is applied and are designed to be reattached if separation occurs. Adult supervision may be necessary for younger children.

### CHANGING TO VEHICLE

**BREACHER**

1

2

3

4

5

6

7

8

9

10

11

12

13

14

15

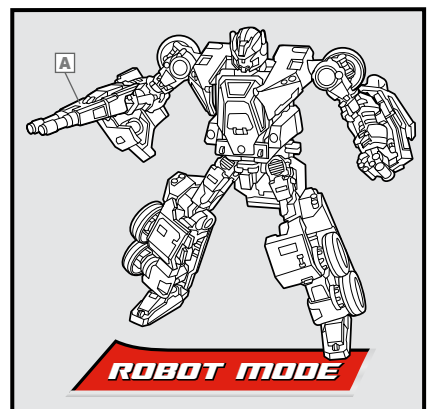
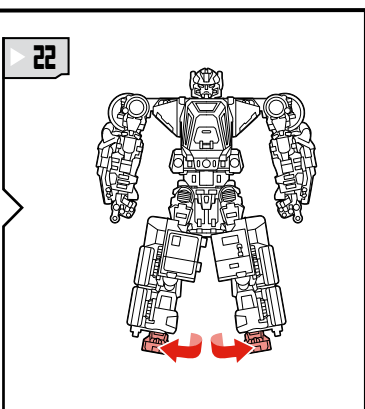
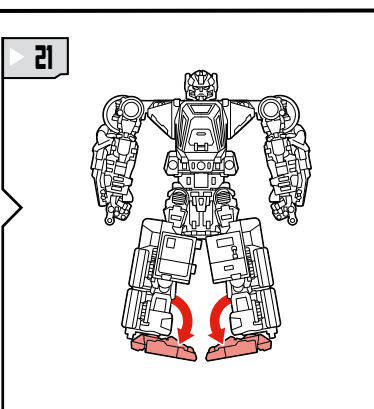
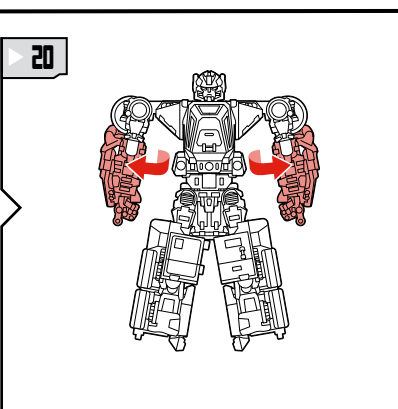
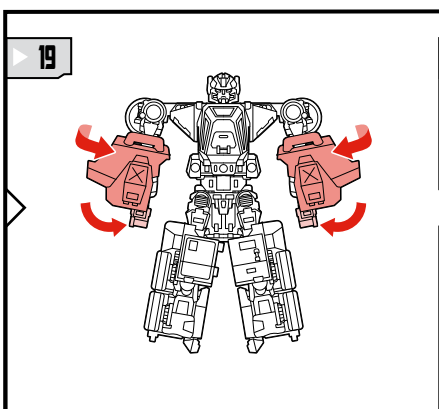
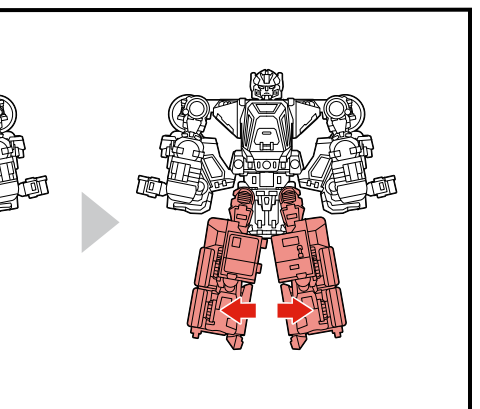
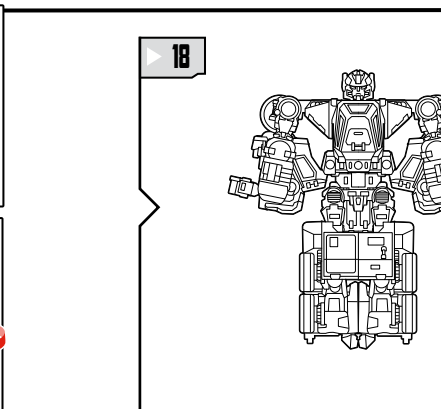
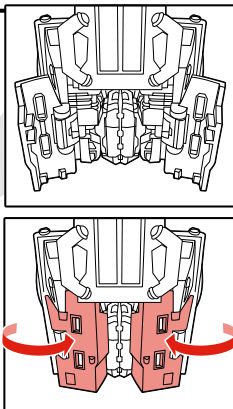
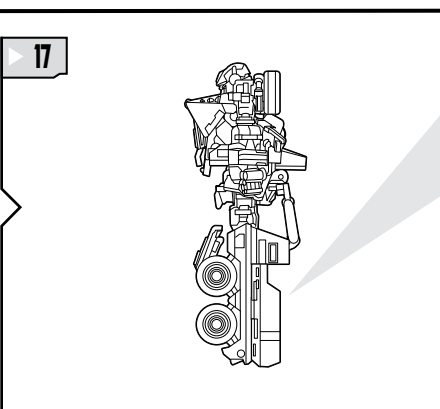
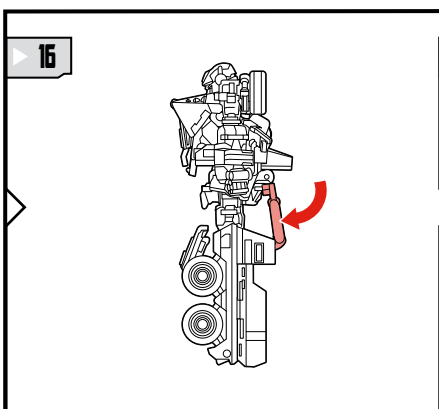
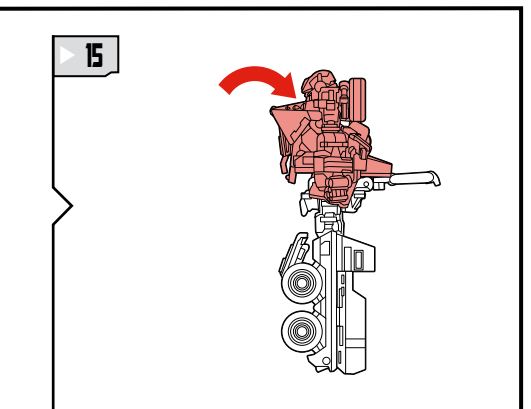
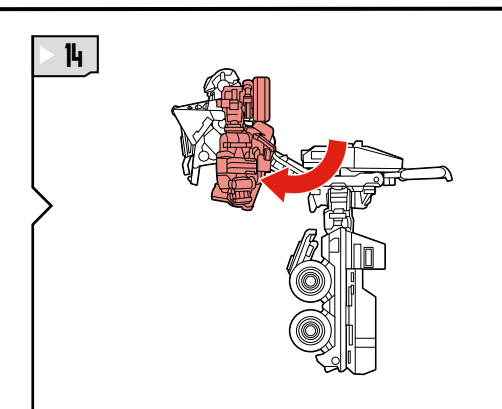
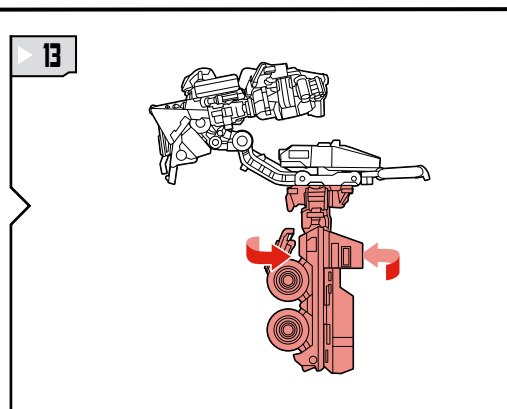
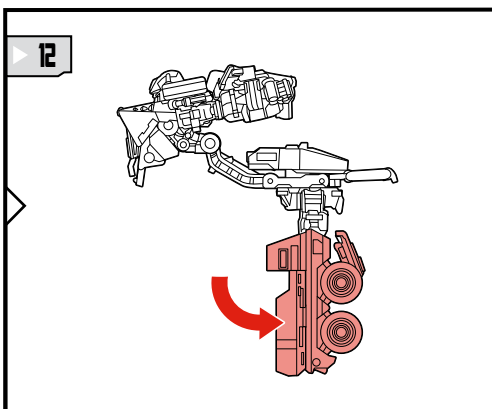
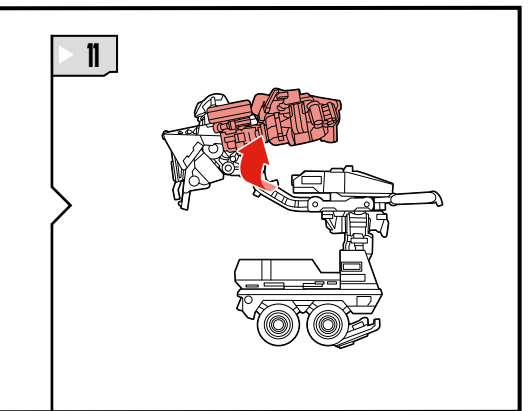
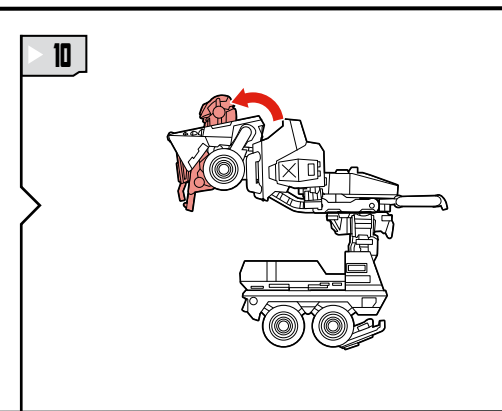
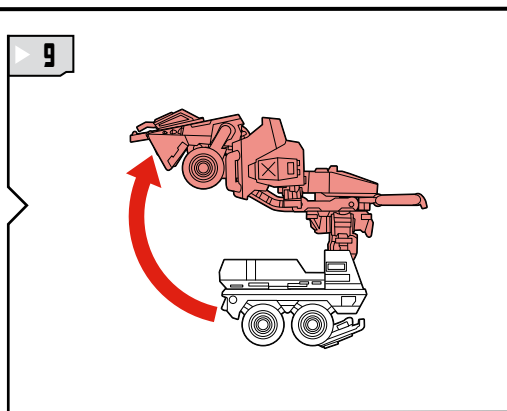
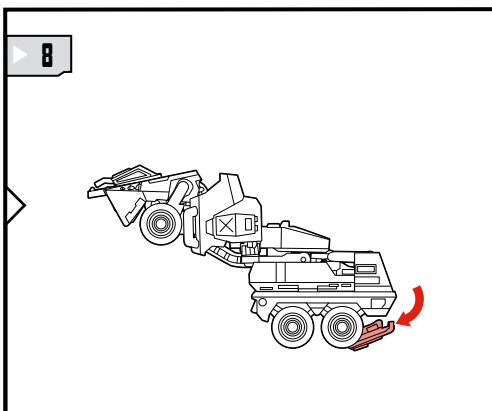
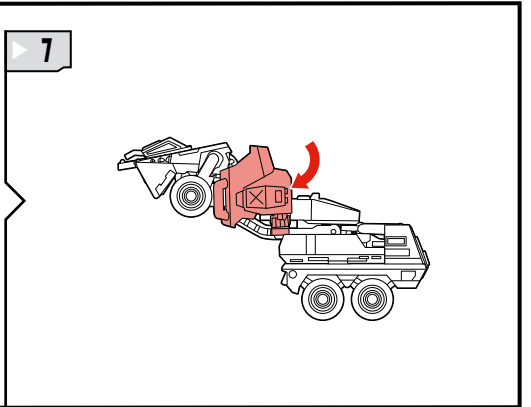
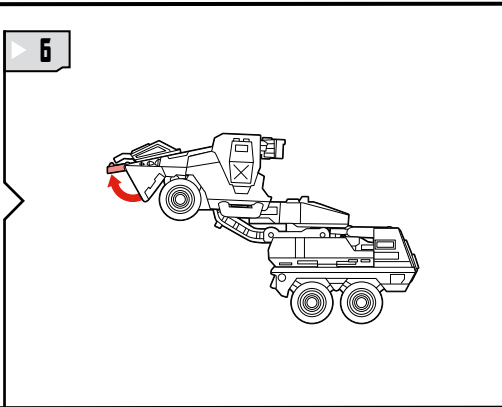
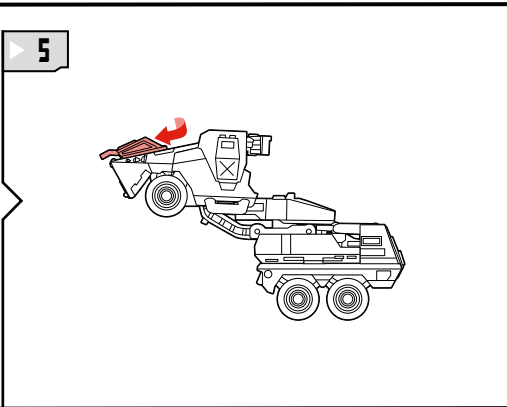
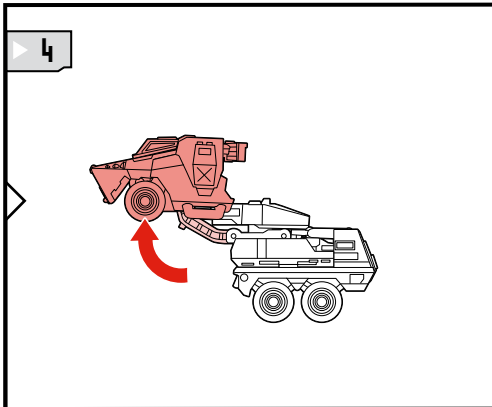
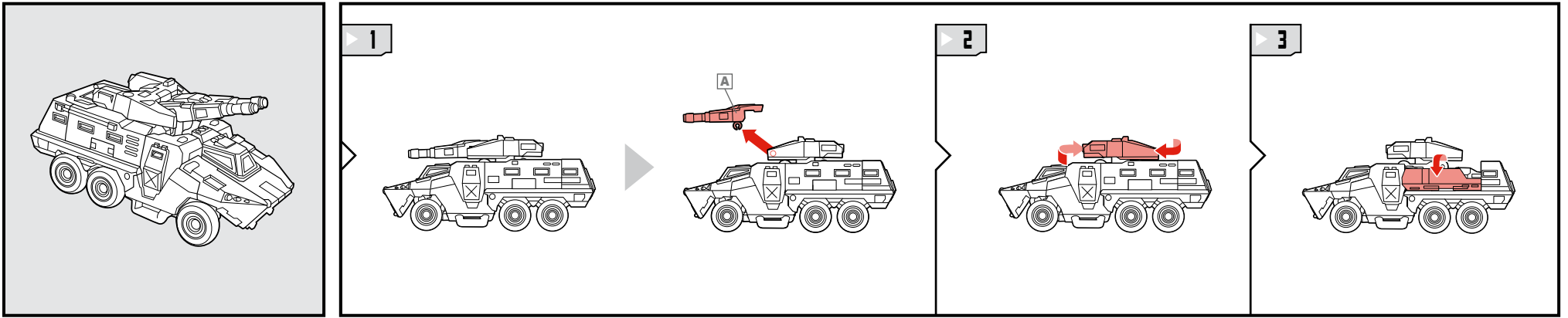
16

17

18

19

**VEHICLE MODE**



P/N 709458000



Product and colors may vary.  
© 2010 Hasbro. All Rights Reserved.  
TM & ® denote U.S. Trademarks.  
Manufactured under license from Tomy Company, Ltd.

Retain instructions for future reference.

Some poses may require hand support.



NEED HELP?

[TRANSFORMERS.COM/INSTRUCTIONS](http://TRANSFORMERS.COM/INSTRUCTIONS)



Not suitable for children under 3 years because of small parts - choking hazard.